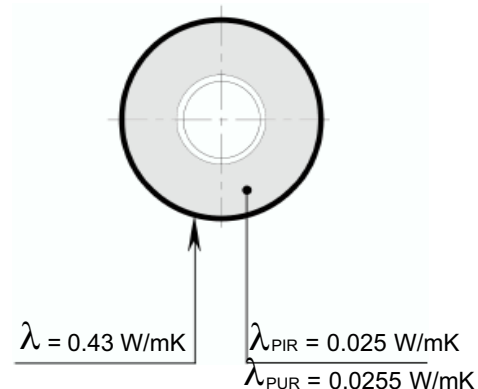
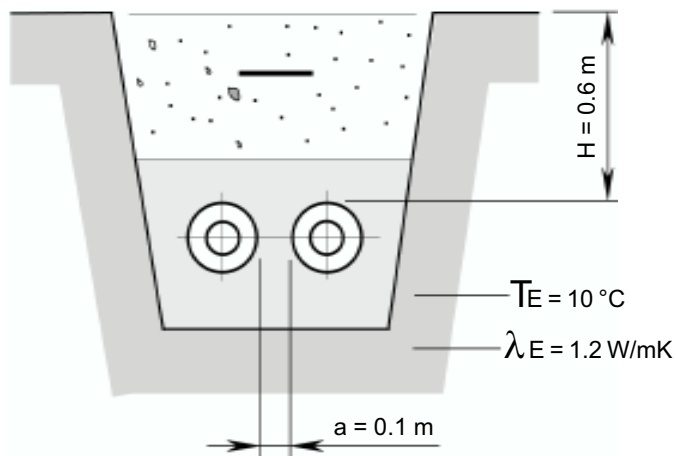


**CASAFLEX, paralelno polaganje 2 enojnih cevi**


**Toplotne izgube med obratovanjem:**  
 $q = K \cdot (T_B - T_E)$  [W/m]

K = koeficient prehoda toplote [W/mK]  
 $T_B$  = srednja delovna temperatura [°C]  
 $T_E$  = srednja temperatura tal [°C]

**Toplotne izgube q [W/m] za eno predizolirano cev pri paralelnem polaganju**

Tip CASAFLEX	DN	K-vrednost [W/mK]	srednja delovna temperatura $T_B$ [°C]									
			40°	50°	60°	70°	80°	90°	100°	110°	120°	130°
22/91	20	0.113	3.4	4.5	5.7	6.8	7.9	9.0	10.2	11.3	12.4	13.5
30/91	25	0.143	4.3	5.7	7.1	8.6	10.0	11.4	12.6	14.3	15.7	17.2
39/111	32	0.153	4.6	6.1	7.6	9.2	10.7	12.2	13.8	15.3	16.8	18.4
48/111	40	0.197	5.9	7.9	9.8	11.8	13.8	15.8	17.7	19.7	21.7	23.6
60/126	50	0.217	6.5	8.7	10.8	13.0	15.2	17.4	19.5	21.7	23.9	26.0
75/142	65	0.266	8.0	10.6	13.3	15.9	18.6	21.3	23.9	26.6	29.2	31.9
98/162	80	0.335	10.1	13.4	16.8	20.1	23.5	26.8	30.2	33.5	36.9	40.2
127/182	100	0.591	17.7	23.6	29.5	35.4	41.3	47.2	53.2	59.1	65.0	70.9